

Reply sent April 21/76

10

Mr. S.J. Goodman
C/O Rumleys Cabins
Liscomb Mills
Guysborough County
Nova Scotia BOJ 2A0
Canada Dec. 23, 1975

Dear Mr. O' Connor:

Received your letter of Dec. 16th. and was very pleased to hear from you. I enjoyed reading your letter and since the question of whether or not you were associated with Triton was not answered I will assume that you are. As for research in regards to Oak Island being done in New York, I have never found in my 7 years of research that I was able to come up with much of anything. You may be able to find a little background on Capt. Kidd living in the area, or correspond with Mr. Edward Rowe Snow in Boston. If you might happen to be interested in following up on the Mystery Stone that was found in the Money Pit, you might send for a copy of Professor Ross Wilhelm's article which was printed in the Dalhousie Review, Volume 50, No. 4 in Halifax. He claims that this was put down from memory by some one but he doesn't state just who. It is totally impossible to remember these markings and the sequence that they belong in from memory and he has changed them around to suit his own purpose of interpretation. The correct markings will be found in a copy of the Esquire magazine Feb. 1973. No matter what any one says about these markings they are correct in every detail, and no matter how many lies they tell about them it doesn't change this fact. Another map that is authentic is the Mar del Map or Wilkins map that was published in about 1936 in England. This map was lied about by many people including Wilkins himself. But never the less it belongs to the island and is coded. The Kidd maps that were mentioned in Harrisses book, The Oak Island Mystery are also very accurate, but only part of the maps belong to Oak Island. These maps were saw by Mr. Hedden who I met several times in Florida and were verified by him. He died last year in Florida. There is a mistake in the bottom line that goes 3 feet by 3 feet by four. It should read 3 feet by 9 feet by four. This point can be checked out by the man who owns the original Kidd maps and lives in Toronto. There is also a mistake in Harrisses book in regards to the Mar del map or Wilkins map, it says 39 S.W. when it should be 30 S.W. according to the map. This map can be found in Rupert Furneaux's book The Money Pit Mystery. The numbers 44106818 that Kidd gave his wife can be found in the book Dig For Pirate Treasure by Robert I. Nesmith on page 82. Most of the information that is needed for solving the mystery on the island can be found in Harrisses book. It took me quite some time before I realised that the Capt. Allen Map that was mentioned in the book on page 135 was in itself a map for the island and is complete detail if you can understand what you are reading. It is so simple that it is difficult. This mans name was not Capt. Allen but was the name on the map and was found in the top left hand corner of the map that he had with him. The Mar del map states that it was 517 feet from the stone with the hole in it on the East shore and at a 9 degree angle, South of West. This is also in code but

///

? //

you can verify this I believe by Blankenship's copy of the Hedden survey that he has. (11)

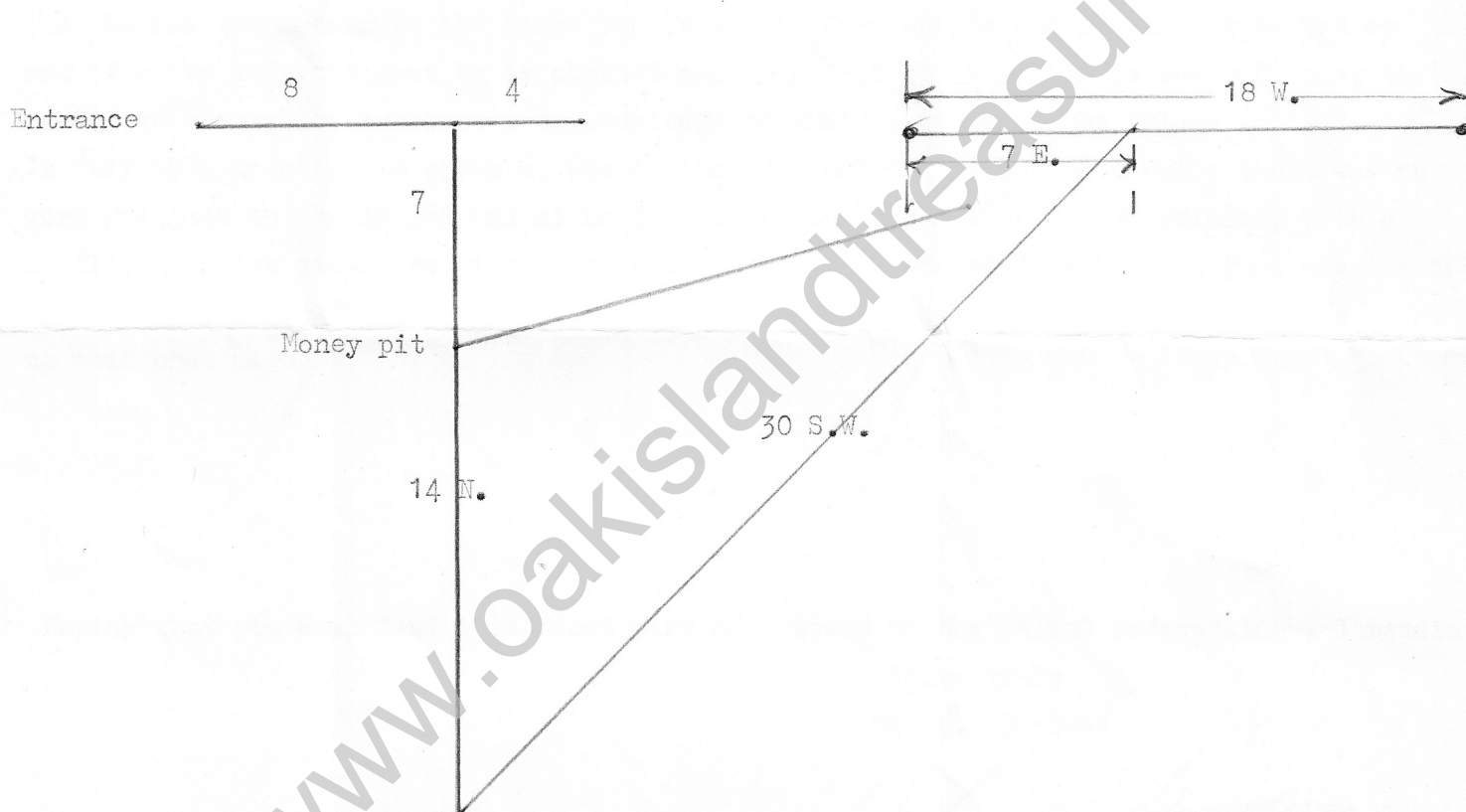
I would like to know if you have ever been to Oak Island ???

Since you state that you are not able to understand what you saw at Dom Wilsons , it would be useless to send you all of the calculations, so I will send them to you in portions.

I will send you the code and the answer and you send me back the way that you broke it.

If you cant break it in its simplist form then I will show you how it is done.

The main map will be the directions from the Mar del map and all other calculations will be worked on it in the form of an overlay. And all of the drawings that I send you will be scaled out . The only things that you will be receiving are the many ways of locating the entrance to the money pit and the location for stopping the water from the East shore, and to one other location of indicated treasure or important spot. You can check all the findings with the information that I gave Triton 5 years ago.



Now I want you to see if you can come up with 7 rods or 116 feet N. by the Kidd maps.

360 Yds. V.D. North 3 stumps 50 feet ----- Answer 116 feet True North

Depart stakes E ----- Answer 66 feet East or 4 rods East

In edge of Lake ----- Answer 8 Left

These are the same as the 7 by 8 by 4 on the Mar del map.

No doubt by the time that you receive this letter you will have heard of the \$5,000.00 that was made on C.B.C. VIEWPOINT as a challenge to the Corporation. This would have been heard all across Canada and most of the U.S. Very shortly there will be a program with the same offer to Triton that will cover 5 of the 10 provinces. Now what I would like to know is since you work for the Wall Street Journal could you tell me if they would publish an article for me at no cost or what do they charge for publishing. I normally would have sent a letter to Mr. Tobias asking if he would have been interested in a wager, but since he demanded that I do not write to him it is the only means of correspondence. I would like to know if this following article can be published for me? 12

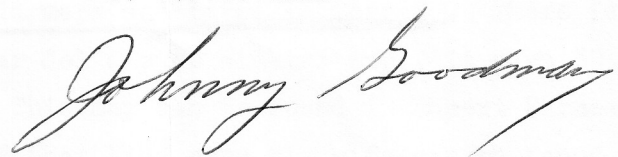
OAK ISLAND CHALLENGE.

On December 22, 1975 a challenge to Triton Alliance in the amount of \$5,000.00 was announced on C.B.C. VIEWPOINT. Mr. S.J. Goodman of Liscomb Mills Nova Scotia claims that he believes that he has the answer to the famed Oak Island in Nova Scotia and is willing to put up this sum of money to prove that he is correct and show that it is not large sums of money that is needed to remove the treasure but knowledge of what happened on the island in 1681. In July 1975 an offer to open up one of the original drains was made while there was no work going on on the island and at no cost to Triton but the offer was refused. With a 2 million dollar stock promotion mentioned in the Wall Street Journal in August and the offer made in July it leaves a question Do they want the treasure out? And if so will they pick up this challenge???

Hoping that you will find this first part of mystery of the island interesting, I remain

Yours truly

Mr. S.J. Goodman



<http://www.oakislandtreasure.co.uk>